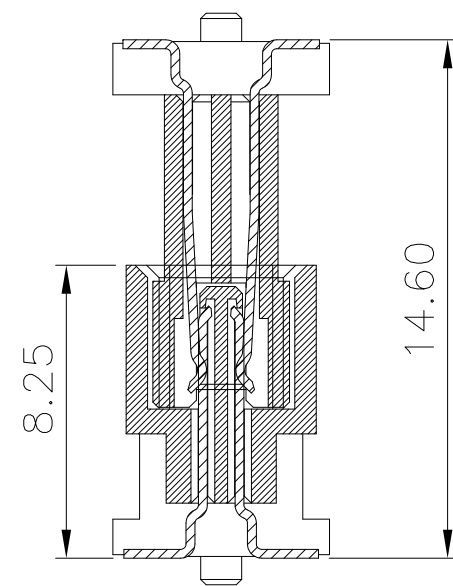
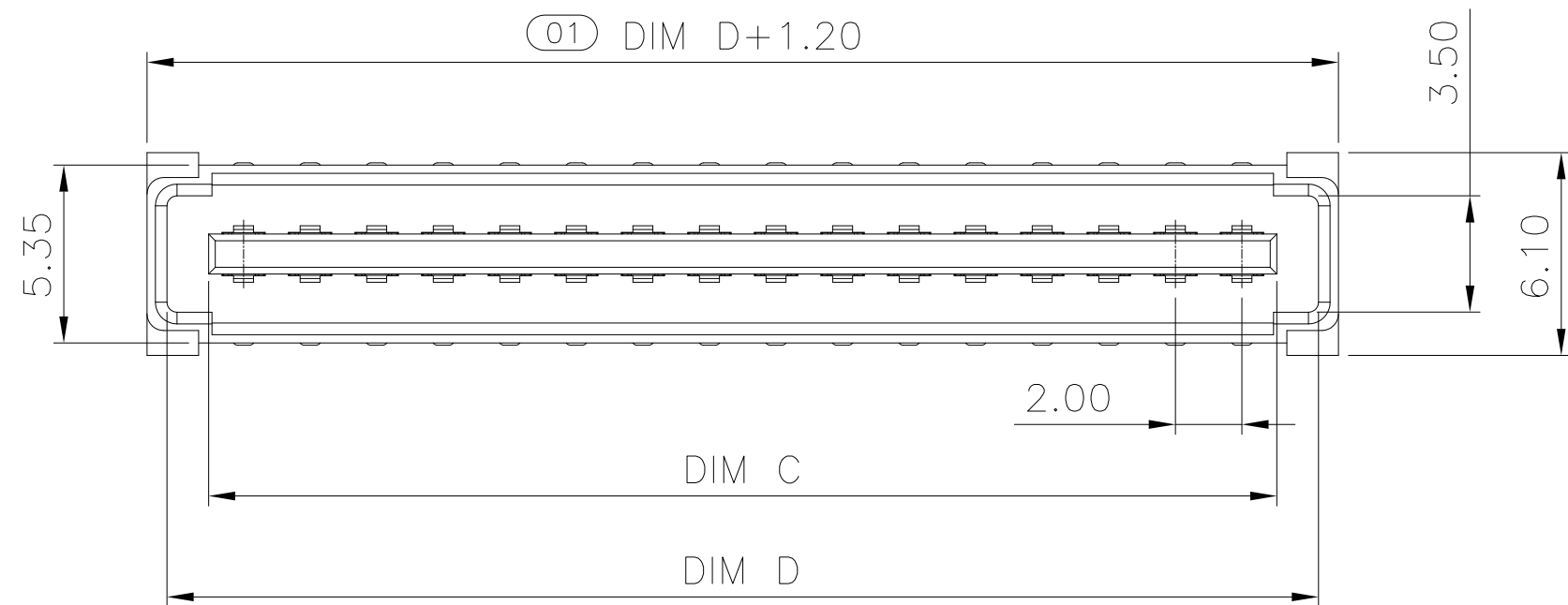


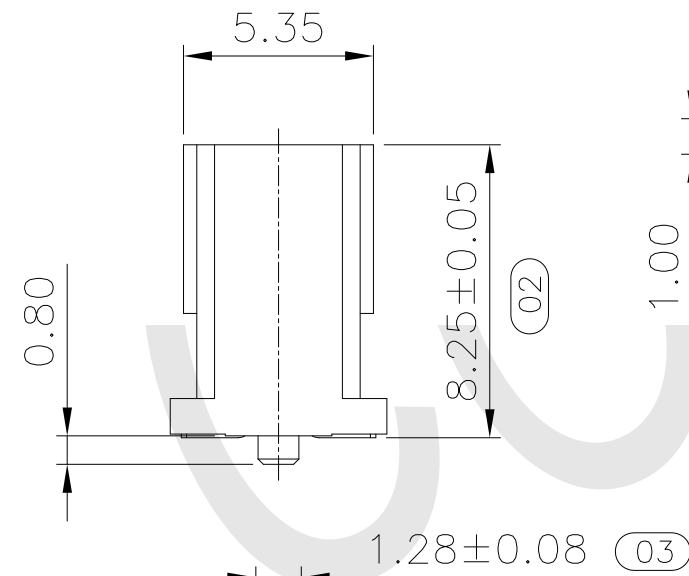
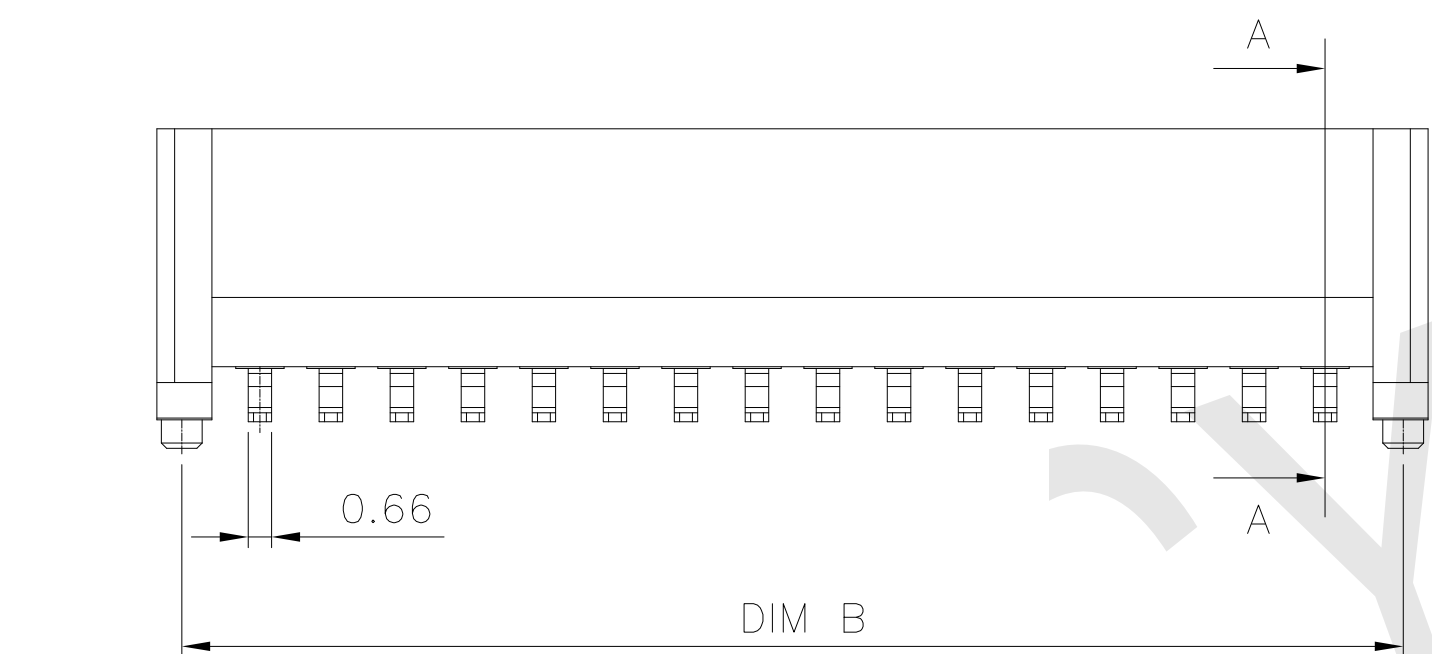
XX 标注为重点管控尺寸



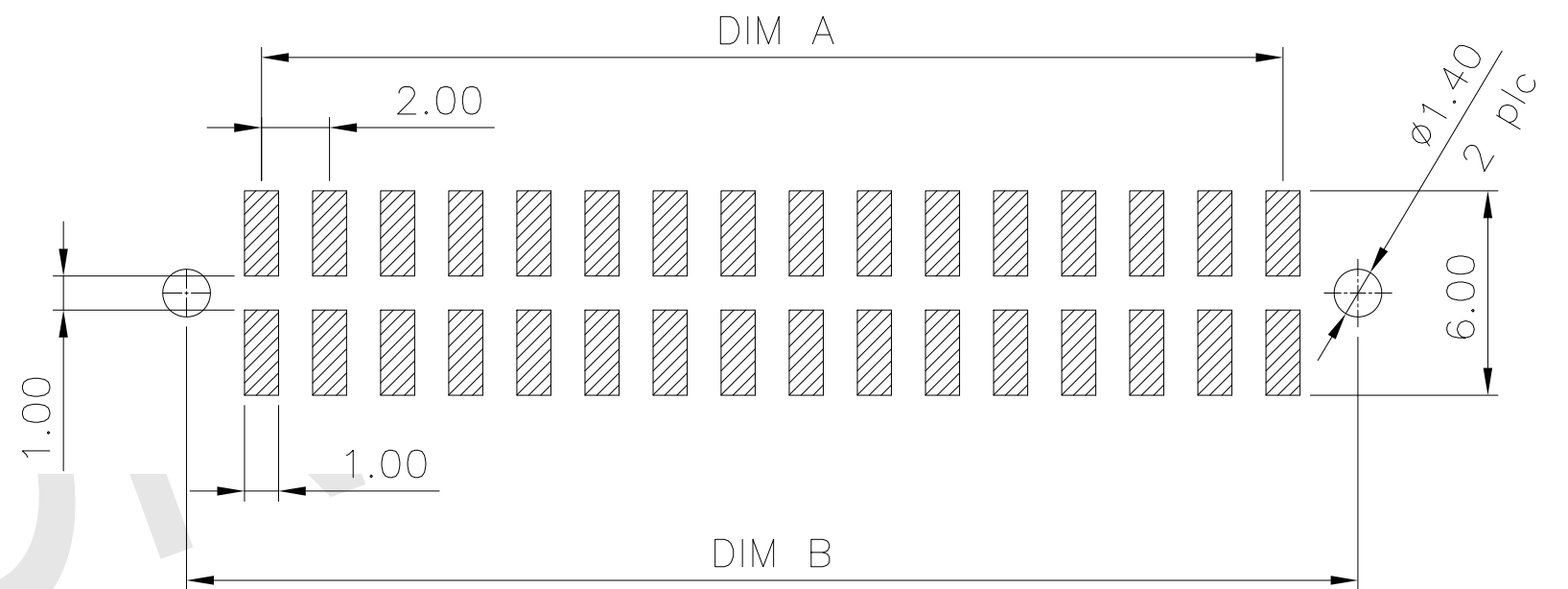
装配合高

◆ 技术参数/Technical parameters

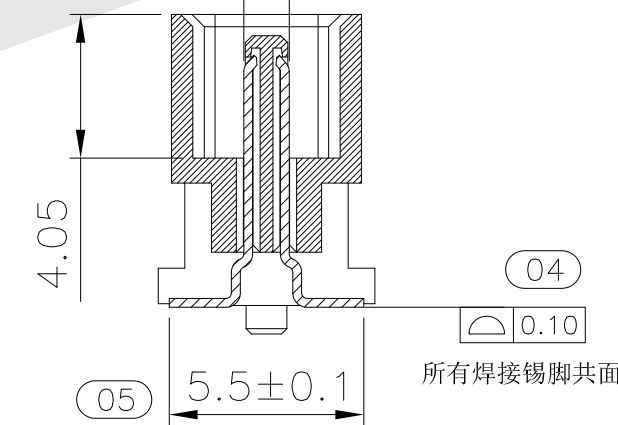
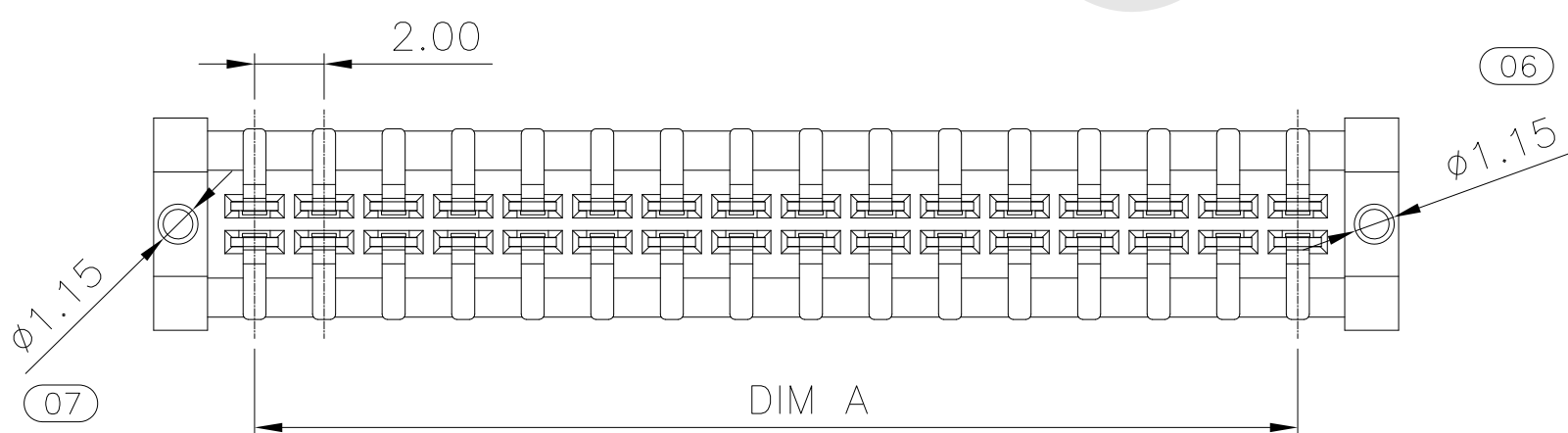
- 符合规范/Accord With Norm :EIA-364C
- 额定电流/Current Rating :1.5AMP
- 绝缘阻抗/Insulator Resistance :1000Ω Min.
- 接触阻抗/Contact Resistance :20mΩ Max.
- 耐电压值/Voltage Resistance :AC 500V
- 工作温度/Operating Temperature :-40°C To +105°C
- 金属材料/Metallic Material :COPPER ALLOY
- 金属处理/Metal Treatment :Ni (30u"~50u") + Au (0.5u"~0.8u")
- 绝缘材料/Insulator Material :LCP, WHITE, UL94V-0.
- 耐焊接热/Resistance To Soldering Heat :260° C ±5° C 10S MAX



剖面 A-A



TOLERANCE: ±0.05,
RECOMMENDED PCB LAYOUT
(TOP VIEW)



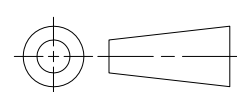
所有焊接锡脚共面

| | | | | | |
|-------|-------|-------|-------|---------|---------------------|
| 52.60 | 50.10 | 52.40 | 48.00 | 2x25Pin | BTF200-225-001 |
| 42.60 | 40.10 | 42.40 | 38.00 | 2x20Pin | BTF200-220-001 |
| 34.60 | 32.10 | 34.40 | 30.00 | 2x16Pin | BTF200-216-001 |
| DIM D | DIM C | DIM B | DIM A | PIN No. | PART NUMBER (料号) |

THIS DRAWING IS A CONTROLLED DOCUMENT.
(此图为宇亮公司受控文件)

DIMENSIONS: (单位)
mm

TOLERANCES UNLESS
OTHERWISE SPECIFIED:
(自由公差参照)



THIRD ANGLE PROJECTION
(第三视角)

- 0 PLC ± 0.20
- 1 PLC ± 0.15
- 2 PLC ± 0.10
- 3 PLC ± 0.05
- 4 PLC ± -

ANGLES
(角度公差) ± 3°

DWN (绘图) 2016\11\20
A. WU

CHEK (审核) 2016\11\20
S. CHIEN

APVD (核准) 2016\11\20
Abel

PRODUCT SPEC (产品规范)

WEIGHT (产品重量)

ASSMBLE DRAWING (组装图)

东莞市宇亮电子有限公司
DONG GUAN YU LIANG ELECTRONICS CO., LTD

NAME (品名)
2.0mm 间距,板对板 H=8.25 无防呆插座

SIZE (尺寸) A4
DRAWING No. (图号) P-2041008

SCALE (比例) 1 : 1
SHEET (页码) 1 OF 1

| | | | | |
|----------------|----------------------|------------|----------|-----------|
| A | RELEASED | 2016\11\20 | AW | WK |
| LTR (版本) | DESCRIPTION (变更内容描述) | DATE (日期) | DWN (绘图) | APVD (核准) |
| REVISIONS (修订) | | | | |