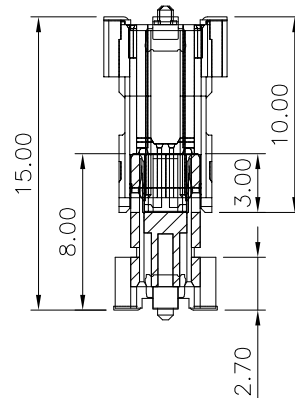
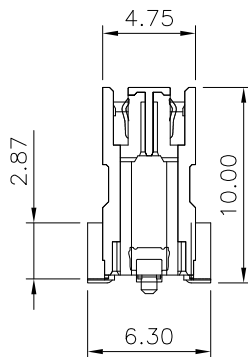
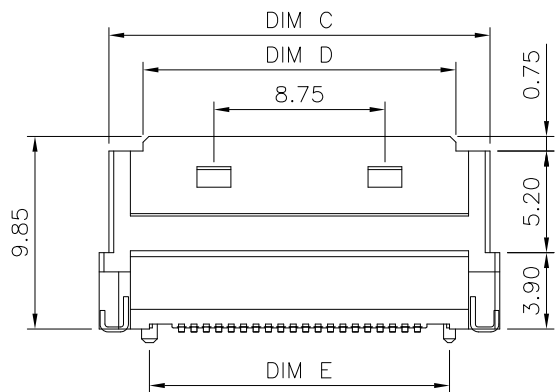


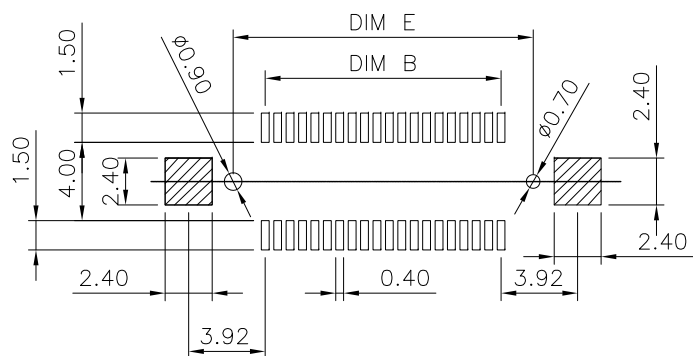
**ELECTRICAL:**  
 VLOTAG RATING:50V AC(RMS)/DC  
 CURRENT RATING:0.5A AC(RMS)/DC  
 CONTACT RESISTANCE:50MΩ MAX  
 INSULATION RESISTANCE:100MΩ MIN  
 DIELECTRIC WITHSTANDING VOLTAGE:200V AC R.M.S  
 OPERTING TEMPERATURE:-30°C~+80°C  
 MATERIRLS  
 HOUSING:HIGH TEMPERATURE PLASTIC  
 UL94V-0  
 TERMINAL:COPPER ALLOY  
 MATERIAL:LCP  
 CONTACT:PHOSPHOR BRONAE,SEMI GOLD TIN

REVISIONS				
LTR	DESCRIPTION	DATE	DWN	APVD
A	RELEASED	01Jan16	AW	WK

NO. OF * CContacts	Dimension(mm)				
	A±0.20	B±0.10	C±0.10	D±0.10	E±0.10
30	17.325	8.89	16.325	12.825	12.175
* 40	20.50	12.065	19.50	16.00	15.35
50	23.675	15.24	22.675	19.175	18.525
52	24.31	15.875	23.31	19.81	19.16
60	26.85	18.415	25.85	22.35	21.70
70	30.025	21.59	29.025	25.525	24.875
80	33.20	24.765	32.20	28.70	28.05



MATING DRAW REF



RECOMMENDED PCB LAYOUT

YL007-009-XXX  
 PART NUMBER

THIS DRAWING IS A CONTROLLED DOCUMENT.		DWN A. WU	01Jan2016	<b>东莞市宇亮电子有限公司</b> DONG GUAN YU LIANG ELECTRONICS CO.,LTD	
DIMENSIONS: mm		CHEK S. CHIEN	01Jan2016		
TOLERANCES UNLESS OTHERWISE SPECIFIED:		APVD Abel	01Jan2016	NAME 0.635MM BOARD TO BOARD 公座 SMT H10.0	
 THIRD ANGLE PROJECTION		PRODUCT SPEC —	—	SIZE A4	DRAWING No. Y=YL007-009
0 PLC ± 0.50 1 PLC ± 0.30 2 PLC ± 0.20 3 PLC ± 0.15 4 PLC ± — ANGLES ± 3°		WEIGHT —	—	CUSTOMER DRAWING	
			SCALE 1 : 1	SHEET 1 of 1	