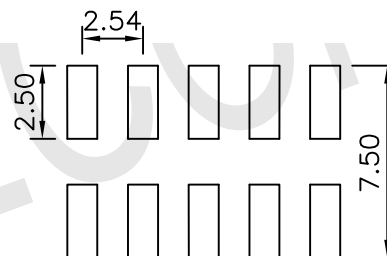
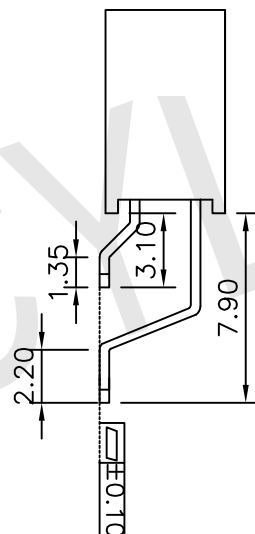
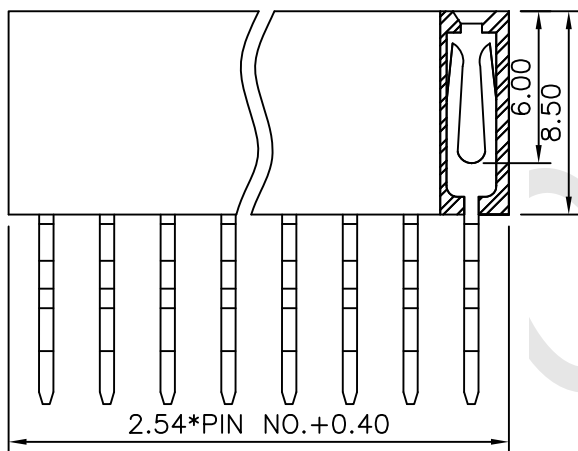


FH254-XXX-XXX

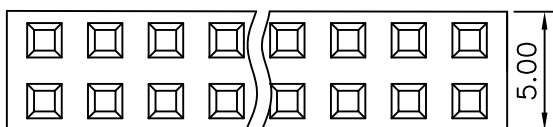
Female Header
Pitch 2.54mm
2: Dual Row
1: Single Row

Type1/Type2
.....
No.of Pins
Dual Row: 2~40
Single Row: 2~40



PRODUCT SPECIFICATION

- INSULATOR MATERIAL : POLYESTER, UL94V-0 .
- TERMINAL MATERIAL : COPPER ALLOY .
- FINISH : GOLD OR TIN PLATED.
- CURRENT RATING : 3 AMPERE.
- INSULATION RESISTANCE : 1000M OHMS MIN.
- DIELECTRIC WITHSTANDING VOLTAGE : 1000 V /1 MINUTE.
- CONTACT RESISTANCE : 初期 Initial : 20 m Ohm Max. ;
测试后 Final : 40 m Ohm Max. .
- OPERATING TEMPERATURE : - 40°C to +105°C.



THIS DRAWING IS A CONTROLLED DOCUMENT.		DWN	0801092016	东莞市宇亮电子有限公司 DONG GUAN YU LIANG ELECTRONICS CO.,LTD	
 THIRD ANGLE PROJECTION		CHEK	08Jan2016		
		TOLERANCES UNLESS OTHERWISE SPECIFIED: 0 PLC ± 0.50 1 PLC ± 0.30 2 PLC ± 0.20 3 PLC ± 0.15 4 PLC ± - ANGLES ± 3°		APVD	08Jan2016
		PRODUCT SPEC	-	SIZE	DRAWING No.
		WEIGHT	-	A4	YL-ED-XXX
		CUSTOMER DRAWING	-	SCALE	1 : 1
				SHEET	1 of 1