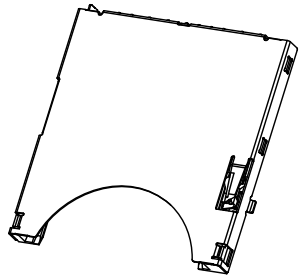
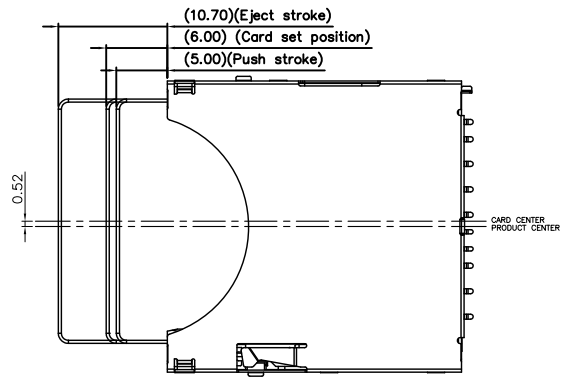
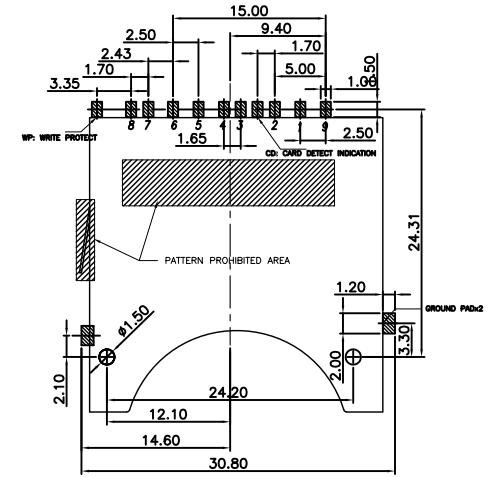
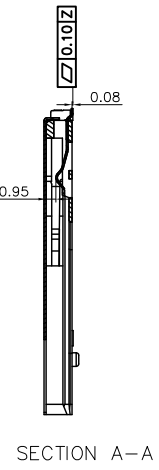
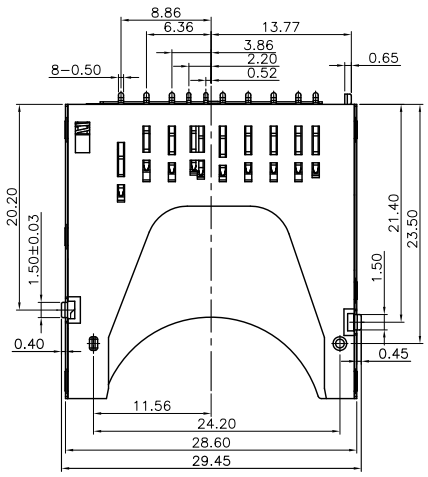
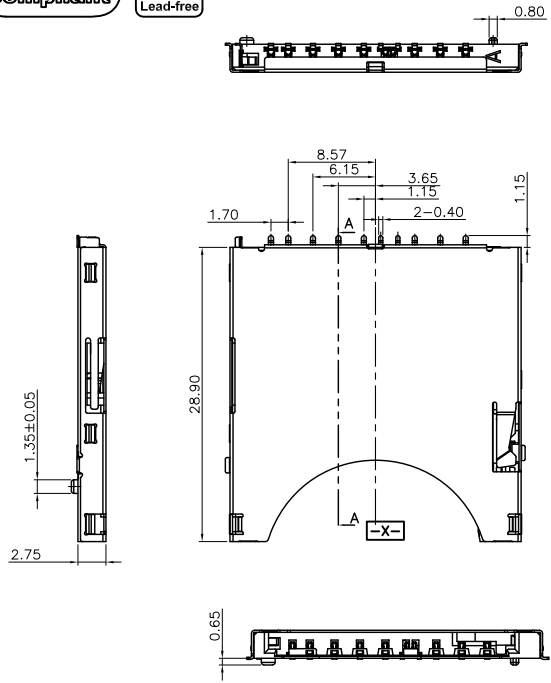




REVISIONS				
LTR	DESCRIPTION	DATE	DWN	APVD
A	RELEASED	01Jan16	AW	WK



SPECIFICATION

1. Material:
 Insulator: LCP, rated UL94V-0, color: black.
 Contacts: Phosphor Bronze, Tin 120u" at Solder Tail, Selected Gold on Contact Area Plating.
 Ground: Phosphor Bronze, Tin 160u".
 Shell: Stainless. Pickling

2. Electrical Characteristics:
 Operating voltage : 100V AC(rms)/DC.
 Current rating : 0.5 A.
 Operating Temperature: -25°C~+90°C.
 Insulation resistance: 1000M ohms min. at 250VDC
 Dielectric withstanding voltage: 500 VAC/1minute.
 Contact resistance: 100m ohms max.
 Mating cycle: 10000 cycles at the speed rate of 400-600 cycles/h; Without distortion of plastic and serious wear and tear in terminal, No signal break.

Pin No.	SD	MMC
P1	MMC-DAT3 SD-CD/DAT3	1P 1P
P2	MMC-CMD SD-CMD	2P 2P
P3	MMC-VSS1 SD-VSS1	3P 3P
P4	MMC-VDD SD-VDD	4P 4P
P5	MMC-CLK SD-CLK	5P 5P
P6	MMC-VSS2 SD-VSS2	6P 6P
P7	MMC-DAT0 SD-DAT0	7P 7P
P8	SD-DAT1	8P
P9	SD-DAT2	9P

YL004-001-XXX
 PART NUMBER

CIRCUIT:		WP	GROUND	WP	GROUND	WP	GROUND
WP	GROUND	○	○	○	○	○	○
CD	#3	○	○	○	○	○	○
WITHOUT CARD		CARD INSERTED WRITE PROTECT : LOCK		CARD INSERTED WRITE PROTECT : UNLOCK			

THIS DRAWING IS A CONTROLLED DOCUMENT.		DWN	01Jan2016	东莞市宇亮电子有限公司 DONG GUAN YU LIANG ELECTRONICS CO., LTD NAME SD PUSH PUSH (I) CONN.(POST Ø1.35) SIZE A4 DRAWING No. YL004-001	
DIMENSIONS: mm		CHEK	01Jan2016		
TOLERANCES UNLESS OTHERWISE SPECIFIED:		APVD	01Jan2016		
0 PLC ± 0.50 1 PLC ± 0.30 2 PLC ± 0.20 3 PLC ± 0.15 4 PLC ± - ANGLES ± 3°		ABEL			
THIRD ANGLE PROJECTION		PRODUCT SPEC		SCALE 1 : 1 SHEET 1 of 1	
		WEIGHT		CUSTOMER DRAWING	