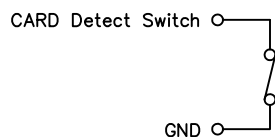
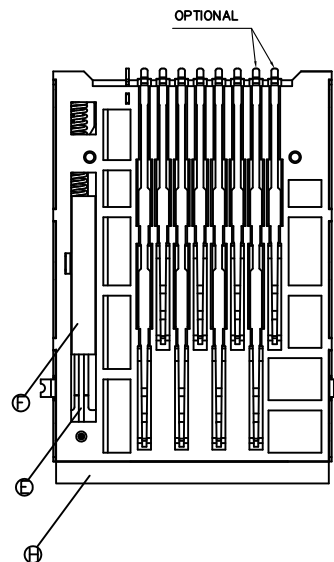
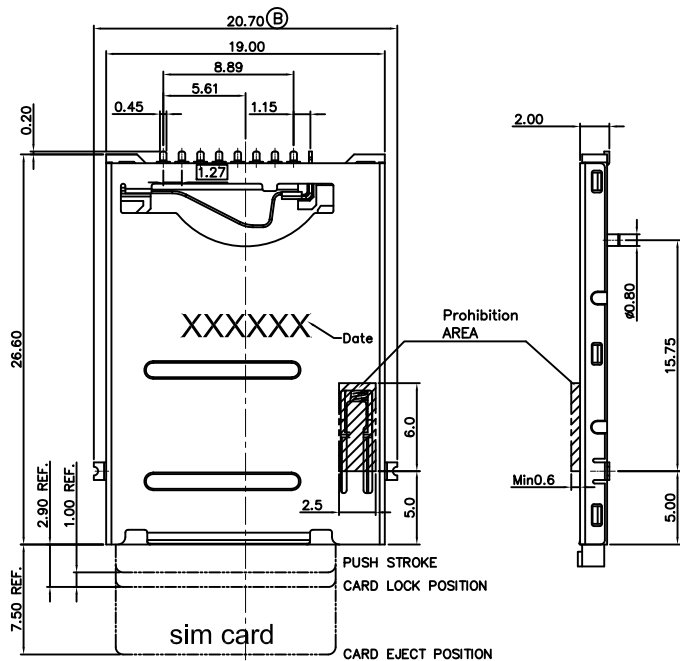
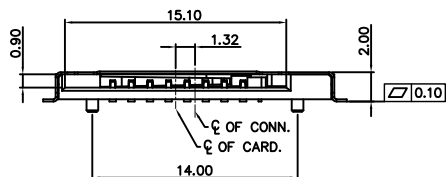




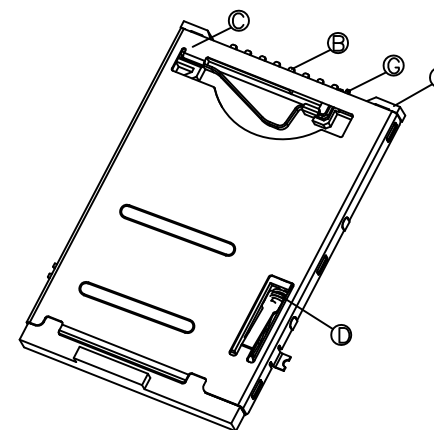
REVISIONS				
LTR	DESCRIPTION	DATE	DWN	APVD
A	RELEASED	01Jan16	AW	WK



Normal....SHORT
Inserting Card....OPEN



- Material:
 - Insulator: HIGH TEMP. PLASTIC, rated UL94V-0,color:black.
 - Terminal: Copper Alloy,Tin 100u" Min. at Solder Tail,Selected Gold on Contact Area Plating.
 - Terminal: Copper Alloy,Tin 100u" Min. at Solder Tail,Selected Gold on Contact Area Plating.
 - Shell: Stainless Steel.
Over Nickel Plated(50~80u"),Gold/Flash at Solder Tail.
- Mechanical and Electrical performance:
 - Mating Cycles: 5000 cycles(speed:400~600 cycles/h).
 - Rating current:0.5A Max.
 - Insulation resistance: 100MΩ Min. at 500 V DC.
 - Terminal contact resistance: 100mΩ Max.
 - Withstanding voltage:500V AC at 1mA Max. for 1 minute.
- Environment performance.
 - Operating temperature: -20℃~ +70℃
 - Storage temperature: -40℃~ +85℃

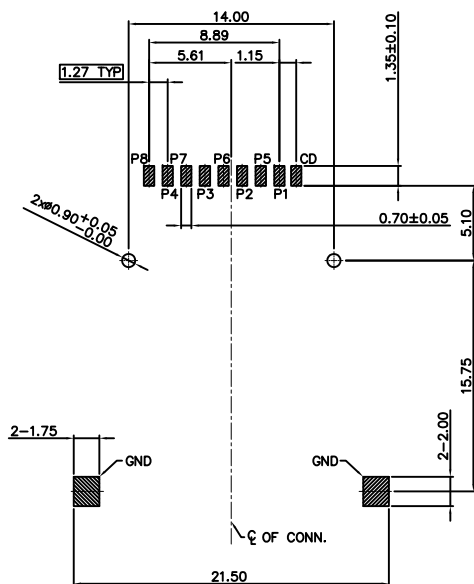


8 PIN	YL004-006-002
6 PIN	YL004-006-001
PIN No.	PART NUMBER

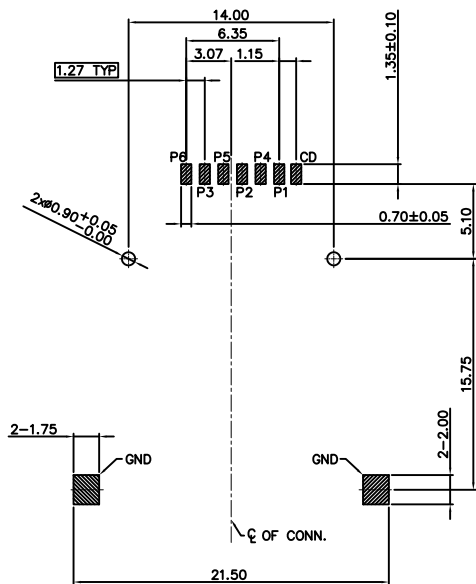
THIS DRAWING IS A CONTROLLED DOCUMENT.		DWN A. WU 01Jan2016	东莞市宇亮电子有限公司 DONG GUAN YU LIANG ELECTRONICS CO.,LTD NAME CUSTOMER DRAWING FOR PUSH PUSH TYPE SIM CARD 6P/8P SIZE A4 DRAWING No. YL004-006
DIMENSIONS: mm	TOLERANCES UNLESS OTHERWISE SPECIFIED:	CHEK S. CHIEN 01Jan2016	
 THIRD ANGLE PROJECTION	0 PLC ± 0.50 1 PLC ± 0.30 2 PLC ± 0.20 3 PLC ± 0.15 4 PLC ± - ANGLES ± 3°	APVD Abel 01Jan2016 PRODUCT SPEC WEIGHT -	
CUSTOMER DRAWING		SCALE 1 : 1	



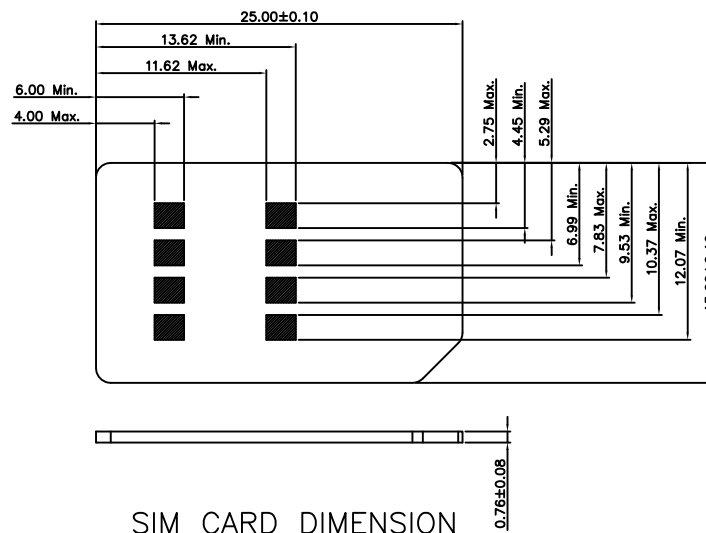
REVISIONS				
LTR	DESCRIPTION	DATE	DWN	APVD
A	RELEASED	01Jan16	AW	WK



SIM CARD 8 PIN



SIM CARD 6 PIN



SIM CARD DIMENSION

PIN ASSIGNMENTS

Connector terminal NO.	Pin NO.	
Pin 1	VCC: PWR signal and GND	
Pin 2	RST: Reset signal	
Pin 3	CLK: Clocking signal	
Pin 4	Reserved	
Pin 5	GND: PWR signal and GND	
Pin 6	VPP: programming Voltage	
Pin 7	I/O : serial date input/output	OPTIONAL
Pin 8	Reserved	

8 PIN	YL004-006-002
6 PIN	YL004-006-001
PIN No.	PART NUMBER

THIS DRAWING IS A CONTROLLED DOCUMENT.		DWN A. WU 01Jan2016	东莞市宇亮电子有限公司 DONG GUAN YU LIANG ELECTRONICS CO., LTD
DIMENSIONS: mm		CHEK S. CHIEN 01Jan2016	
 THIRD ANGLE PROJECTION		APVD Abel 01Jan2016	CUSTOMER DRAWING FOR PUSH PUSH TYPE SIM CARD 6P/8P
TOLERANCES UNLESS OTHERWISE SPECIFIED: 0 PLC ± 0.50 1 PLC ± 0.30 2 PLC ± 0.20 3 PLC ± 0.15 4 PLC ± - ANGLES ± 3°		PRODUCT SPEC — WEIGHT —	SIZE A4 DRAWING No. Y=YL004-006
		CUSTOMER DRAWING	SCALE 1 : 1 SHEET 2 of 2