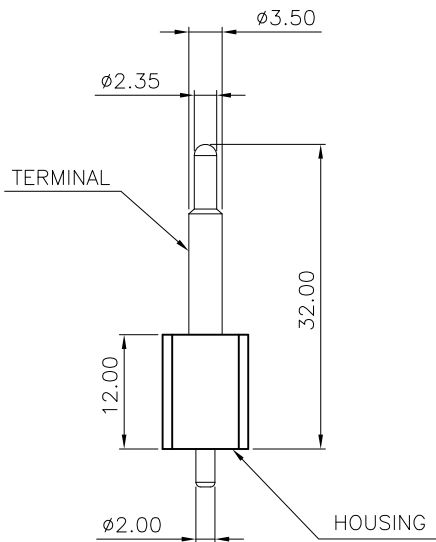


TOLERANCE:  $\pm 0.05$ , THICKNESS: 1.6mm  
 RECOMMENDED PCB LAYOUT  
 (TOP VIEW)

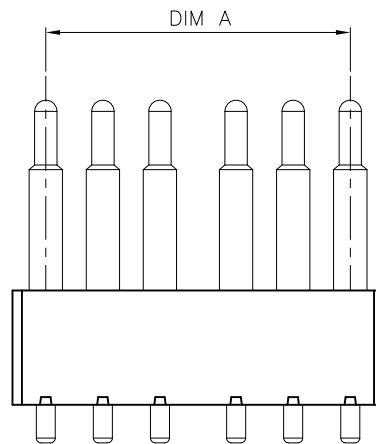
A	RELEASED	25Jan16	AW	WK
LTR	DESCRIPTION	DATE	DWN	APVD
REVISIONS				



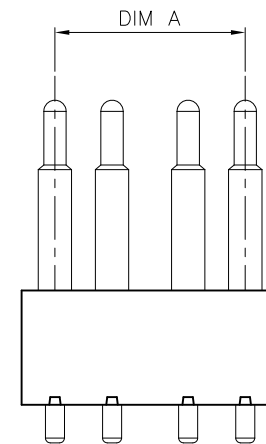
NOTE :

1. MATERIAL:  
 HOUSING: NYLON POLYAMIDES, UL 94V-0, BLACK COLOR .  
 TERMINAL: BRASS.

2. FINISH:  
 TERMINAL: 3u" MIN. GOLD FLASH OVER 50u" MIN. NICKEL ON ENTIRE POST.



6 PIN PRODUCT  
 DM600-106-001



4 PIN PRODUCT  
 DM600-104-001

32	6	DM600-106-001
20	4	DM600-104-001
DIM A	PIN NUMBER	PART NUMBER

THIS DRAWING IS A CONTROLLED DOCUMENT.		DWN A. WU 25Jan2016	<b>东莞市宇亮电子有限公司</b> DONG GUAN YU LIANG ELECTRONICS CO.,LTD	
DIMENSIONS: mm		CHEK S. CHIEN 25Jan2016		
TOLERANCES UNLESS OTHERWISE SPECIFIED:		APVD Abel 25Jan2016	NAME 电源公针 L 36.0mm,加塑胶底座	
 THIRD ANGLE PROJECTION		PRODUCT SPEC — WEIGHT —	SIZE A4	DRAWING No. YL-ED-00435
0 PLC $\pm 0.50$ 1 PLC $\pm 0.30$ 2 PLC $\pm 0.20$ 3 PLC $\pm 0.15$ 4 PLC $\pm -$ ANGLES $\pm 3^\circ$		CUSTOMER DRAWING		
			SCALE 1 : 1	SHEET 1 of 1