

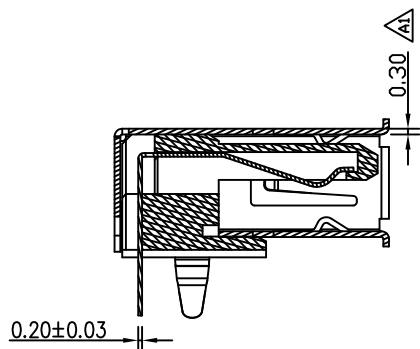
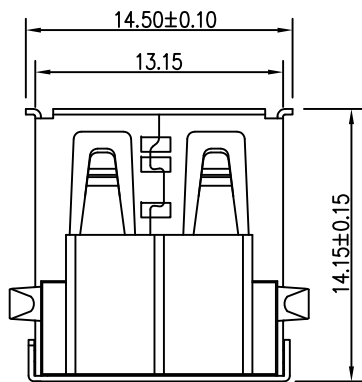
5

4

3

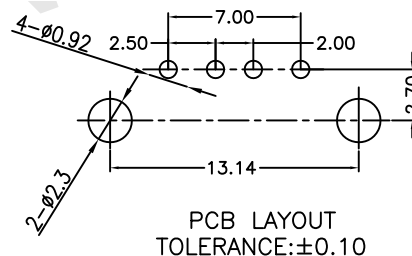
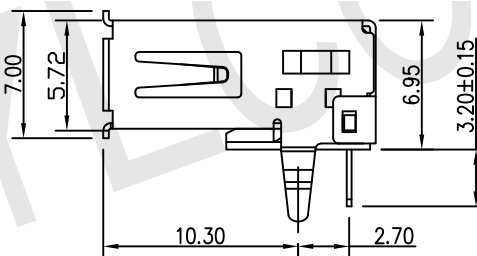
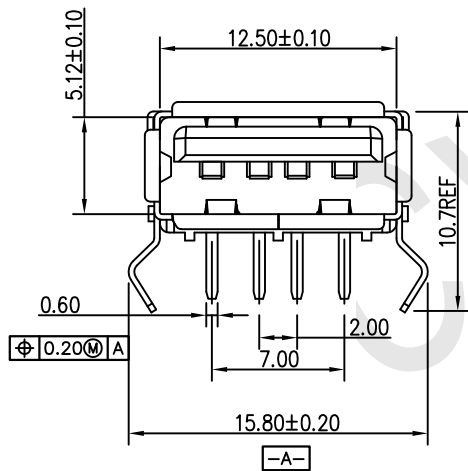
2

1



SECTION A-A

MATERIAL:
 INSULATOR:PBT(UL94V-0)
 CONTACT: PHOSPHOR BRONZE, T=0.25
 PLATING: GOLD PLATED 1U" & 15u" & 30u"
 TIN PLATED ON SOLDER TAIL
 SHELL: BRASS, T=0.30MM NICKEL PLATING 100U"
 SPECIFICATIONS:
 CURRENT RATING: 1.5A AC,DC
 VOLTAGE RATING: 30V AC,DC
 CONTACT RESISTANCE: 30MΩ MAX
 INSULATION RESISTANCE: 1000MΩ MIN
 WITHSTANDING VOLTAGE: 500V AC/MINUTE
 TEMPERATURE RANGE: -55°C TO +85°C



PCB LAYOUT TOLERANCE: ±0.10

A	RELEASED	2017\03\17	杨磊	WK
LTR (版本)	DESCRIPTION (变更内容描述)	DATE (日期)	DWN (绘图)	APVD (核准)
REVISIONS (修订)				

THIS DRAWING IS A CONTROLLED DOCUMENT. (此图为宇亮公司受控文件)		DWN (绘图) 杨磊	2017\03\17	东莞市宇亮电子有限公司 DONG GUAN YU LIANG ELECTRONICS CO., LTD	
DIMENSIONS: (单位) mm		CHEK (审核) S. CHEN	2017\03\17		
TOLERANCES UNLESS OTHERWISE SPECIFIED: (自由公差参照)		APVD (核准) Abel	2017\03\17	NAME (品名) USB AF 90 DIP TYPE	
0 PLC ± 0.50 1 PLC ± 0.30 2 PLC ± 0.20 3 PLC ± 0.15 4 PLC ±		PRODUCT SPEC (产品规范)		SIZE (尺寸) A4	DRAWING No. (图号) C=YL001-016
THIRD ANGLE PROJECTION (第三视图)		WEIGHT (产品重量)		SCALE (比例) 1 : 1	SHEET (页码) 1 of 1
ANGLES (角度公差) ± 3°		CUSTOMER DRAWING (业务图)			