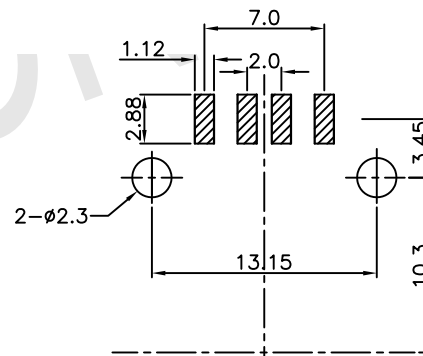
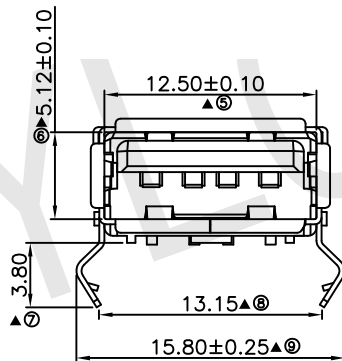
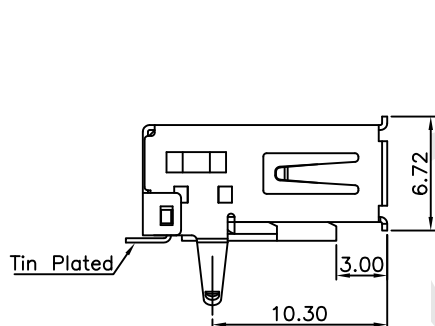


Specifications:  
 Current Rating:1.0A AC/DC  
 Voltage Rating:30V AC/DC  
 Contact Resistance:30m ohm. Max.  
 Insulation Resistance:1,000M ohm. Min.  
 Withstanding Voltage:500V AC/Minute  
 Operating Temperature Range:-40°C To +105°C  
 Material and Finish  
 Insulator:Nylon 6T UL94V-0  
 Contact:Phosphor Bronze  
 Plating:Gold Plated on Contact Area, Tin Plated on Solder Tail.  
 Shell:Brass,Nickel Plated



PCB Layout

A	RELEASED	2017\03\17	杨磊	WK
LTR (版本)	DESCRIPTION (变更内容描述)	DATE (日期)	DWN (绘图)	APVD (核准)
REVISIONS (修订)				

THIS DRAWING IS A CONTROLLED DOCUMENT. (此图为宇亮公司受控文件)		DWN (绘图) 杨磊	2017\03\17	东莞市宇亮电子有限公司 DONG GUAN YU LIANG ELECTRONICS CO., LTD	
DIMENSIONS: (单位) mm		CHEK (审核) S. CHIEN	2017\03\17		
TOLERANCES UNLESS OTHERWISE SPECIFIED: (自由公差参照)		APVD (核准) Abel	2017\03\17	DRAWING No. (图号) YL001-019	
THIRD ANGLE PROJECTION (第三视角)		PRODUCT SPEC (产品规范)	SIZE (尺寸) A4		SHEET (张数) 1 OF 1
ANGLES (角度公差)		WEIGHT (产品重量)	SCALE 1 : 1		CUSTOMER DRAWING (业务图)